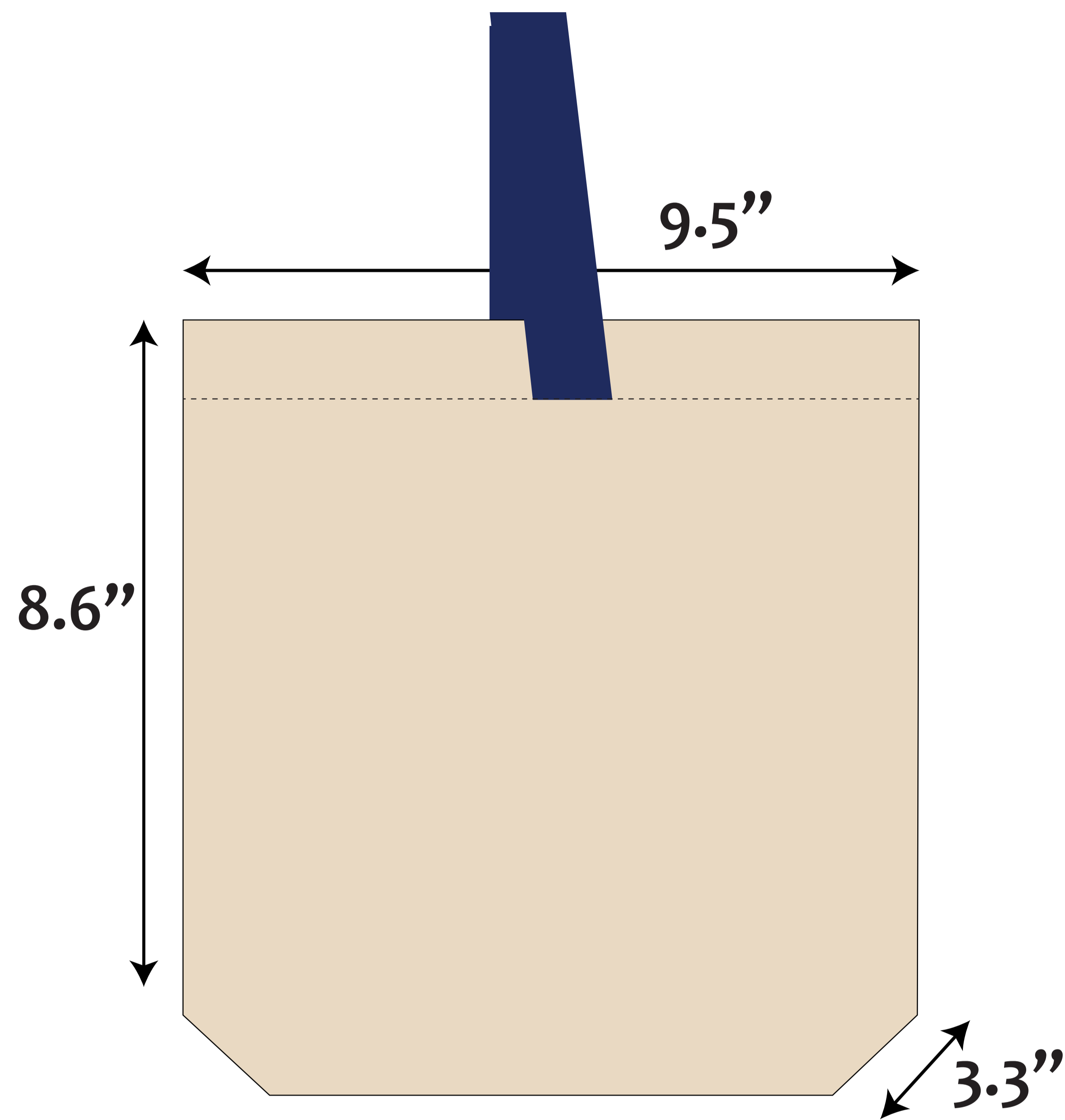


FILE NAME :
COMPANY :
CREATE DATE :
DELIVERY DATE :

Designed by : ILA



Order below qty 500 pcs - color printing white & black no sample provided.

(REMARK) : Please CHECK Logo / Wording / Colour / Pantone & Printing Measurement on the layout given.

Please be certain when approving jobs to ensure that there are no errors as we will not accept responsibility at that stage. Thank You!

CODE / MATERIAL : ASPB 299
SIZE : 17"(L) X 14.5"(H) X 3.75"(W)
COLOUR BAG : NAVY BLUE HANDLE
QUANTITY : PCS
PRINTING COLOR : BLACK
SIDE : 1 SIDE CENTER

SAMPLE : YES NO