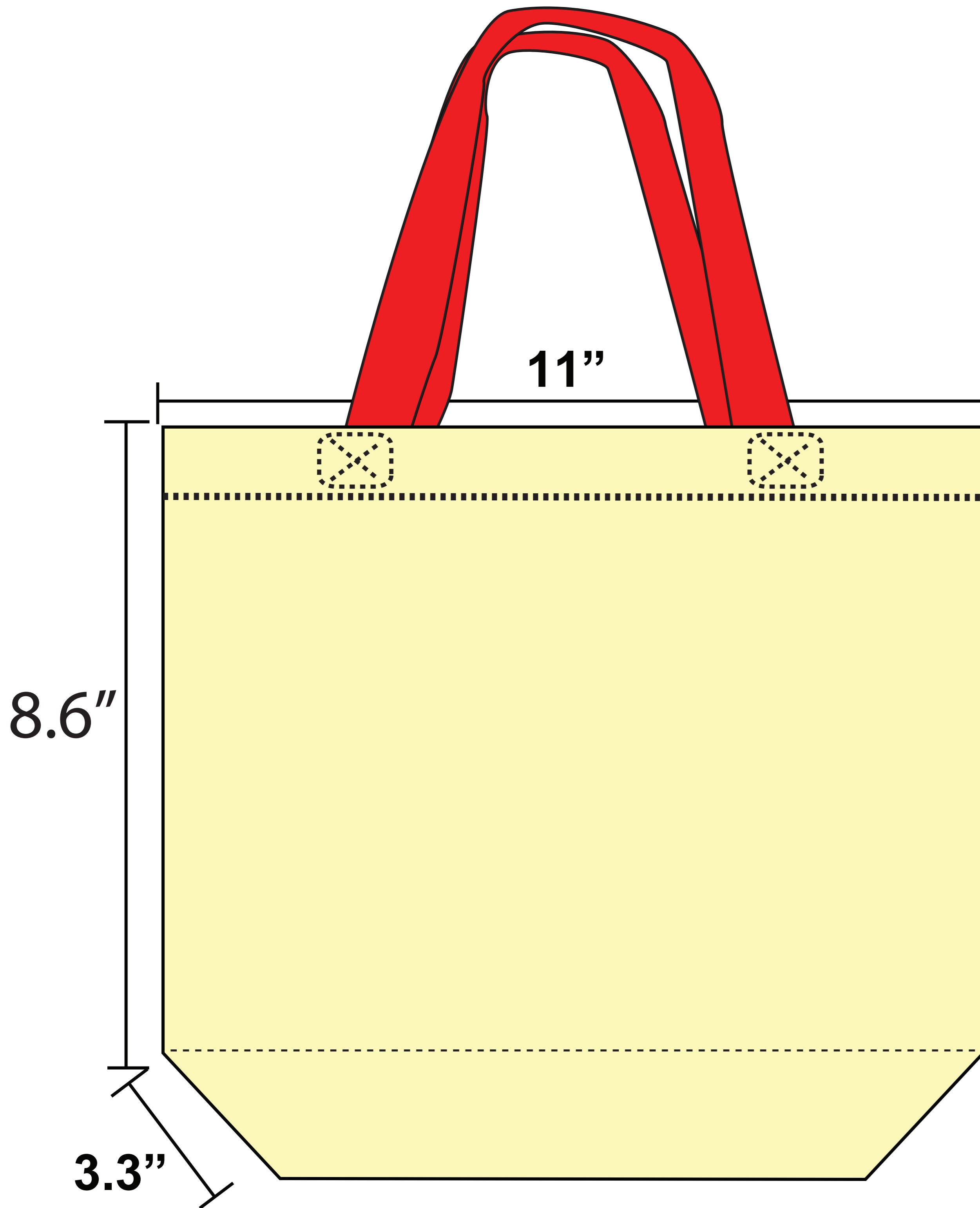


FILE NAME :  
COMPANY :  
CREATE DATE :  
DELIVERY DATE :

*Designed by : ILA*



LOGO SIZE :  
7"(L) x 5"(H)

**# Order below qty 500 pcs - color printing white & black no sample provided.**

**(REMARK) : Please CHECK Logo / Wording / Colour / Pantone & Printing Measurement on the layout given.**

**Please be certain when approving jobs to ensure that there are no errors as we will not accept responsibility at that stage. Thank You!**

CODE / MATERIAL : ASPB 298  
SIZE : 11" (L) X 8.6" (H) X 3.3" (W)  
COLOUR BAG : RED HANDLE  
QUANTITY : PCS  
PRINTING COLOR : WHITE  
SIDE : I SIDE CENTER

SAMPLE :  YES  NO